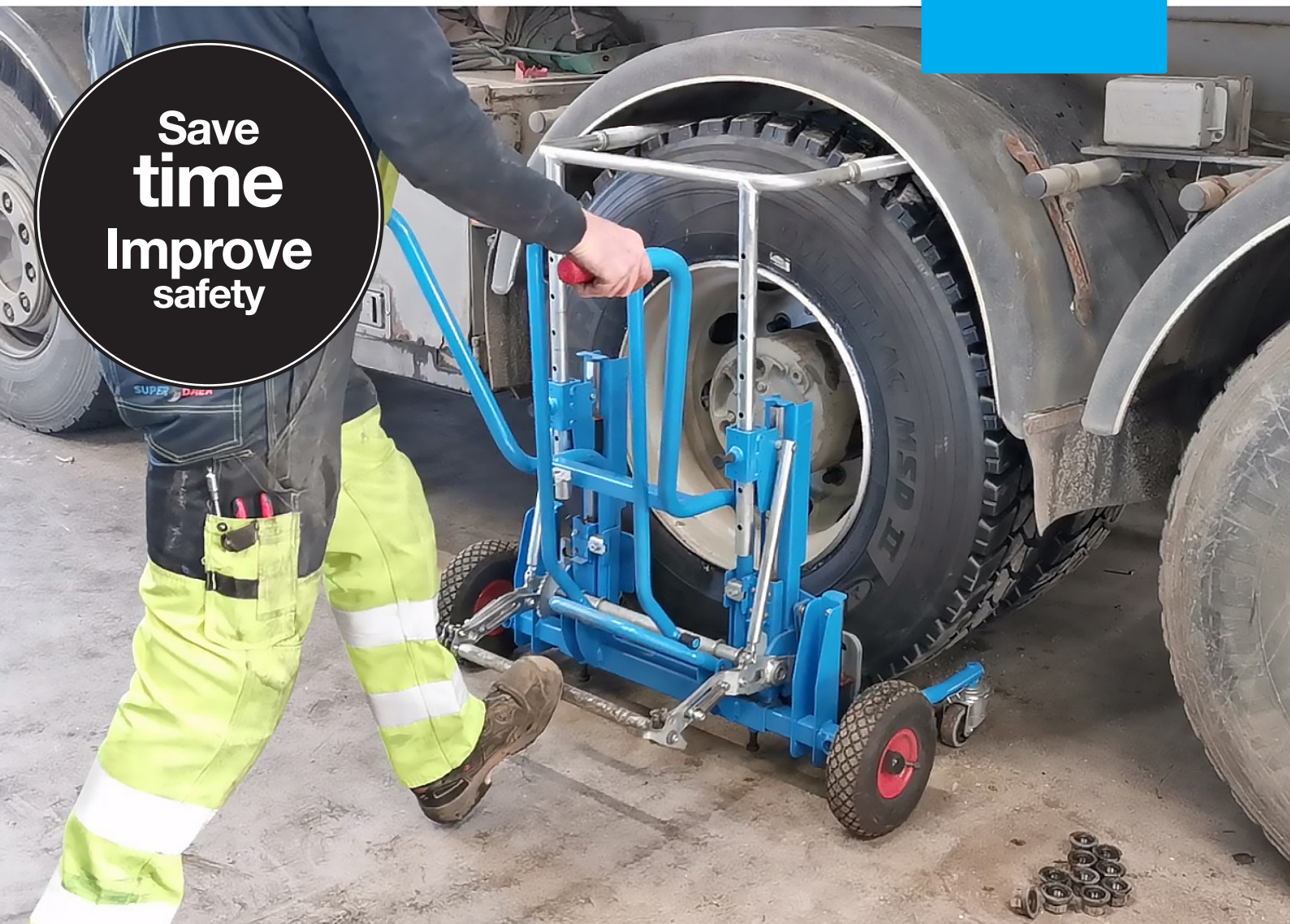


Ideal for:
Trucks
Trailers
Buses

Easy Truck Trolley

Save
time
Improve
safety



Professional tools for handling wheels for trucks, trailers and buses

- With a unique safe and secure grip
- Easy lifting by handle or foot pedal
- Easy rotation towards hub and bolt alignment
- Move and handle wheels both safe and efficient
- Improve the ergonomic working environment
- Improves safety and productivity



Experts in Tyre Handling Equipment

Easy and ergonomic handling of wheels

The Easy Truck Trolley is designed and developed to improve the ergonomic working environment by reducing the manual and stressful operations of heavy lifting, pulling and pushing during mounting and dismounting of wheel assemblies for trucks, trailers and buses.

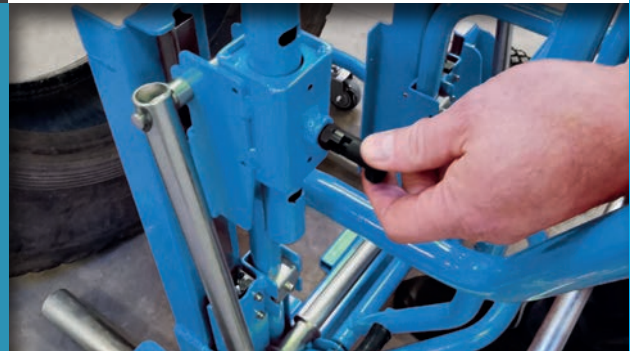
Capability

With a gripping range of 800 - 1250 mm (31 - 49") and a lifting capacity of 130 kg (286 lbs), the Easy Truck Trolley can handle most tyre and wheel assemblies for trucks, trailers and buses.



Ideal for workshops

Mounting and dismounting of truck wheel assemblies – quick and safe without any stress of operator. And the smooth-running wheels makes it easy to manoeuvre around.



Easy adjustment

Quick and safe adjustment of the gripping range from 800 to 1.250 mm.



Features

- Easy to “lock” the wheel with a secure grip using the built-in foot pedal
- Easy to lift the wheel up and down using the dedicated handle and foot pedal
- Easy to tilt the wheel forward and backward for precise positioning below fenders
- Easy to rotate wheel by hand for hub and bolt alignment using the built-in rollers
- Easy to manoeuvre around the workshop on the smooth-running wheels
- Easy to adjust the gripping range



Danish Working Environment Act

The Easy Truck Trolley meet the requirements for necessary aids in sections 17B, 38 and 39 of the Danish Working Environment Act and the Danish Working Environment Authority's guidelines D3.1 on lifting, pulling and pushing.



Reduces strain and risk of back injuries



Easy tilt forward

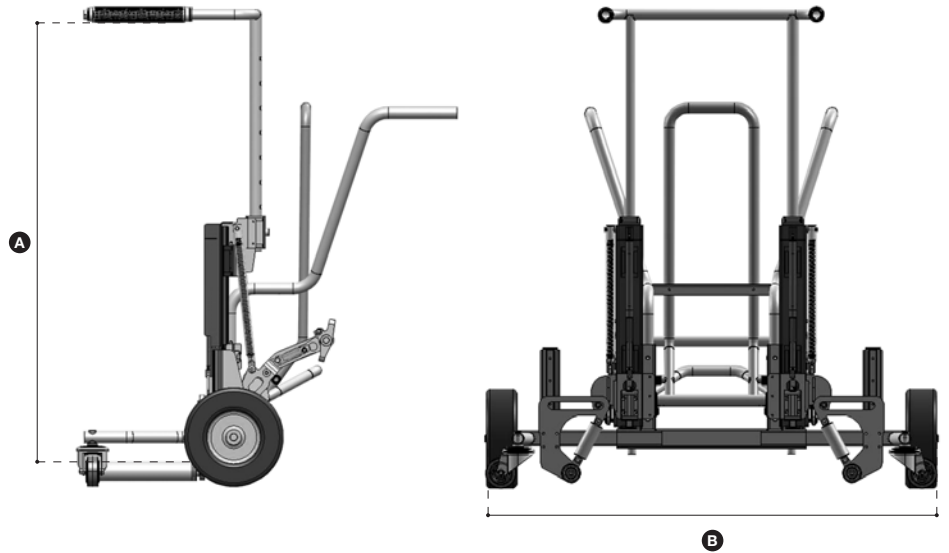


Easy tilt backward



Technical Specifications

Weight:	70 kg (154 lbs)
Width:	950 - 1.175 mm (37 - 46")
Lifting capacity:	130 kg (286 lbs)
Tyre diameter:	800 - 1.250 mm (31 - 49")



A	800 - 1.250 mm (31 - 49")
B	950 - 1.175 mm (37 - 46")



Developed in cooperation with REMA TIP TOP DANMARK A/S and manufactured under our control and quality standards in India.



Authorized Dealer

©2018/19/20/21/22/23/24/25/26/27/28/29/30/31/32/33/34/35/36/37/38/39/40/41/42/43/44/45/46/47/48/49/50/51/52/53/54/55/56/57/58/59/60/61/62/63/64/65/66/67/68/69/70/71/72/73/74/75/76/77/78/79/80/81/82/83/84/85/86/87/88/89/90/91/92/93/94/95/96/97/98/99/100/101/102/103/104/105/106/107/108/109/110/111/112/113/114/115/116/117/118/119/120/121/122/123/124/125/126/127/128/129/130/131/132/133/134/135/136/137/138/139/140/141/142/143/144/145/146/147/148/149/150/151/152/153/154/155/156/157/158/159/160/161/162/163/164/165/166/167/168/169/170/171/172/173/174/175/176/177/178/179/180/181/182/183/184/185/186/187/188/189/190/191/192/193/194/195/196/197/198/199/200/201/202/203/204/205/206/207/208/209/210/211/212/213/214/215/216/217/218/219/220/221/222/223/224/225/226/227/228/229/230/231/232/233/234/235/236/237/238/239/240/241/242/243/244/245/246/247/248/249/250/251/252/253/254/255/256/257/258/259/260/261/262/263/264/265/266/267/268/269/270/271/272/273/274/275/276/277/278/279/280/281/282/283/284/285/286/287/288/289/290/291/292/293/294/295/296/297/298/299/300/301/302/303/304/305/306/307/308/309/310/311/312/313/314/315/316/317/318/319/320/321/322/323/324/325/326/327/328/329/330/331/332/333/334/335/336/337/338/339/340/341/342/343/344/345/346/347/348/349/350/351/352/353/354/355/356/357/358/359/360/361/362/363/364/365/366/367/368/369/370/371/372/373/374/375/376/377/378/379/380/381/382/383/384/385/386/387/388/389/390/391/392/393/394/395/396/397/398/399/400/401/402/403/404/405/406/407/408/409/410/411/412/413/414/415/416/417/418/419/420/421/422/423/424/425/426/427/428/429/430/431/432/433/434/435/436/437/438/439/440/441/442/443/444/445/446/447/448/449/450/451/452/453/454/455/456/457/458/459/460/461/462/463/464/465/466/467/468/469/470/471/472/473/474/475/476/477/478/479/480/481/482/483/484/485/486/487/488/489/490/491/492/493/494/495/496/497/498/499/500/501/502/503/504/505/506/507/508/509/510/511/512/513/514/515/516/517/518/519/520/521/522/523/524/525/526/527/528/529/530/531/532/533/534/535/536/537/538/539/540/541/542/543/544/545/546/547/548/549/550/551/552/553/554/555/556/557/558/559/560/561/562/563/564/565/566/567/568/569/570/571/572/573/574/575/576/577/578/579/580/581/582/583/584/585/586/587/588/589/590/591/592/593/594/595/596/597/598/599/600/601/602/603/604/605/606/607/608/609/610/611/612/613/614/615/616/617/618/619/620/621/622/623/624/625/626/627/628/629/630/631/632/633/634/635/636/637/638/639/640/641/642/643/644/645/646/647/648/649/650/651/652/653/654/655/656/657/658/659/660/661/662/663/664/665/666/667/668/669/670/671/672/673/674/675/676/677/678/679/680/681/682/683/684/685/686/687/688/689/690/691/692/693/694/695/696/697/698/699/700/701/702/703/704/705/706/707/708/709/710/711/712/713/714/715/716/717/718/719/720/721/722/723/724/725/726/727/728/729/730/731/732/733/734/735/736/737/738/739/740/741/742/743/744/745/746/747/748/749/750/751/752/753/754/755/756/757/758/759/760/761/762/763/764/765/766/767/768/769/770/771/772/773/774/775/776/777/778/779/780/781/782/783/784/785/786/787/788/789/790/791/792/793/794/795/796/797/798/799/800/801/802/803/804/805/806/807/808/809/810/811/812/813/814/815/816/817/818/819/820/821/822/823/824/825/826/827/828/829/830/831/832/833/834/835/836/837/838/839/840/841/842/843/844/845/846/847/848/849/850/851/852/853/854/855/856/857/858/859/860/861/862/863/864/865/866/867/868/869/870/871/872/873/874/875/876/877/878/879/880/881/882/883/884/885/886/887/888/889/890/891/892/893/894/895/896/897/898/899/900/901/902/903/904/905/906/907/908/909/910/911/912/913/914/915/916/917/918/919/920/921/922/923/924/925/926/927/928/929/930/931/932/933/934/935/936/937/938/939/940/941/942/943/944/945/946/947/948/949/950/951/952/953/954/955/956/957/958/959/960/961/962/963/964/965/966/967/968/969/970/971/972/973/974/975/976/977/978/979/980/981/982/983/984/985/986/987/988/989/990/991/992/993/994/995/996/997/998/999/1000



+45 72 344 344
info@justeasytools.dk
www.justeasytools.com
VAT no.: DK33644809

Just Easy Tools ApS
Nybovej 33
DK-7500 Holstebro
Denmark